

Mini-Piggyback™

Positive Feed Drill Lubrication System

Portable and Precise

The Unist Mini-Piggyback™ system sets a new standard for lubricating cutting tools on positive feed drills. This system uses a positive displacement pump to precisely apply the right amount of lubrication to the cutting tool, hole after hole. The operator can easily adjust both the fluid and the air output to “dial-in” the perfect setting for any tool.

The Mini-Piggyback™ is 100% pneumatically operated. It is designed to use air supplied “downstream” from the tool trigger, so it operates whenever the tool is running. The fluid supply is contained in a removable reservoir that can easily be exchanged when empty. Empty reservoirs can be refilled using the Unist reservoir refill kit, so they’re ready to use again. The lubricant may also be supplied from a remote gravity-feed or pressurized reservoir. The Mini-Piggyback™ can dispense a wide range of lubricants with varying viscosities. Atomizing air can be easily adjusted or turned off completely.

The Mini-Piggyback™ is available in two configurations: continuous output, which provides a constant delivery of lubricant for operations with long cycle times, and intermittent-output, which provides a single shot of lubricant for smaller cutting tools with short cycle times.



- Precise lubricant output
- Increase cutting tool life
- Easy to install on most positive feed drills
- Improve hole quality

Specifications

Injector Output: 1 Drop (0.05 mL) per pulse

Pump Rate: 4 to 200 Cycles per minute

Inlet Air: 70-115 psi (5-8 Bar)

Reservoir Capacity: 25 mL or 55 mL
(500 or 1100 pump cycles)

Features

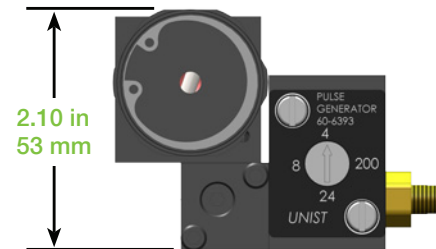
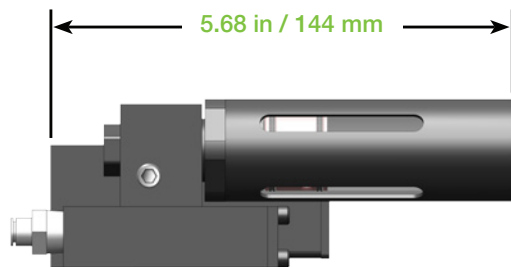
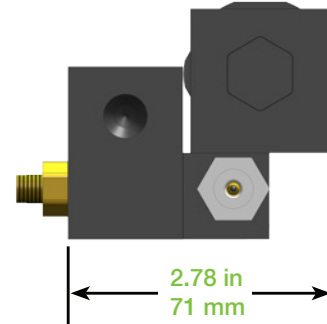
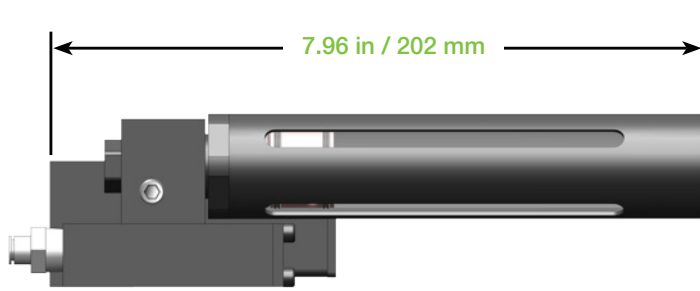
- Translucent reservoir
- Quick connect reservoir
- Adjustable fluid output
- Adjustable air output
- Variety of output tubes
- Easy mounting
- Instant ON / Instant OFF
- Uniform, consistent fluid output independent of back pressure
- Rugged design

LIFETIME PUMP WARRANTY

Your Mini-Piggyback's™ pump is warranted for life when used exclusively with Unist Coolube® Lubricant



Mini-Piggyback™ Dimensions



Removable Reservoir

A unique feature of the Mini-Piggyback™ system is the removable, interchangeable fluid reservoir. This allows the lubricant to be replenished almost instantly by simply replacing the empty reservoir with a full one, maximizing the productivity of the tool.

Unist Coolube®

Maximize the benefits of your Mini-Piggyback™ system by filling your reservoir with Unist Coolube®. Coolube® is a 100% natural biodegradable lubricant derived from renewable vegetable products that is friendly to the environment and machinists. It is specifically formulated to increase tool life and improve surface finishes in all machining operations. Coolube® contains no VOC's, chlorine, or silicone. As an added bonus, Unist guarantees the pumps in our Mini-Piggyback™ systems forever when Coolube® is used exclusively.



Visit us on the web at unist.com

Ordering Information

Order Number: 78 V – – – –

Reservoir
Rate Control
Mounting
Tubing

Reservoir Options (Don't need a reservoir? Use XX for none.)



55 mL reservoir

78 V

25 mL reservoir

78 V

Pulse Rate Control Options



Pulse Generator with screwdriver adjustment

78 V

Pulse Generator with knob adjustment

78 V

Pulse Generator with tamper-proof cover (pulse rate preset at factory)

78 V

Single shot output

78 V

Mounting Options (Don't need a mounting option? Use XX for none.)



Mounting bracket for use with customer supplied hose clamp

78 V

Panel mount stud and nut 3/4" (19 mm) diameter

78 V

Tubing Options

Single line coiled 1/8" OD X 5 ft

78 V

Single line coiled 5/32" OD X 5 ft

78 V

Single line straight 1/8" OD X 5 ft

78 V

Single line straight 5/32" OD X 5 ft

78 V

Co-axial polyurethane 3/8" OD X 5 ft

78 V



Unist, Inc.
 4134 36th Street SE
 Grand Rapids, MI 49512 USA
 U.S. & Canada: 800.253.5462
 International: 616.949.0853
 Email: salesupport@unist.com